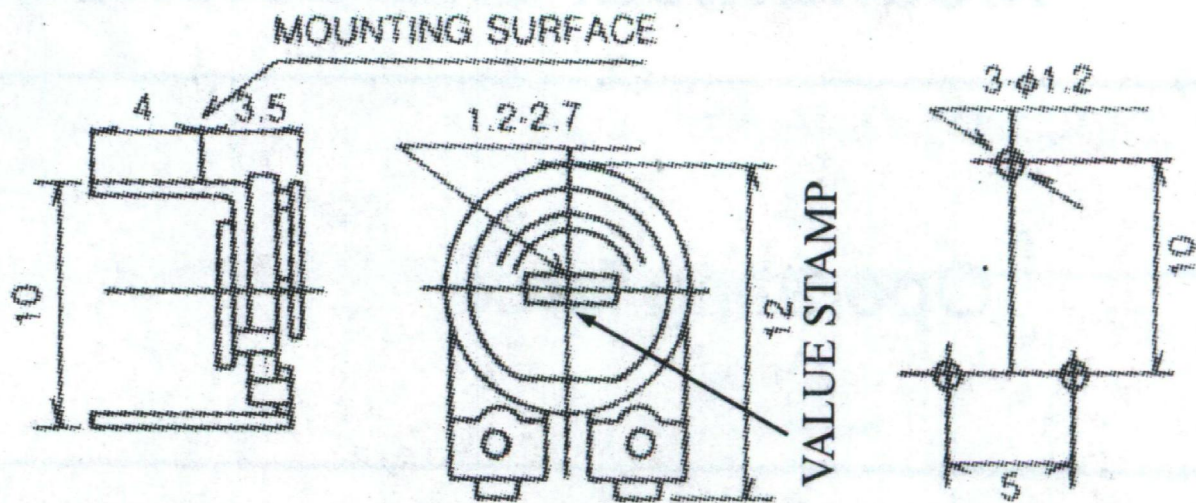


SHEET 1/1

**Elcon**



Copyright Elcon [India]. Unauthorised use and distribution of this document is strictly forbidden.

PART NAME:- EP085

PREPARED BY

*MAHESH*

REVIEWED BY

*A.S. BISHI*

TOLERANCE

|                |      |
|----------------|------|
| UP TO 10       | ±0.3 |
| OVER 10 TO 100 | ±0.5 |
| OVER 100       | +1   |

DATE

*16.08.11*

UNIT

MM

SCALE

N.T.S.

