



Scanning Laser Range Finder for Robotics "SOKUIKI Sensor"

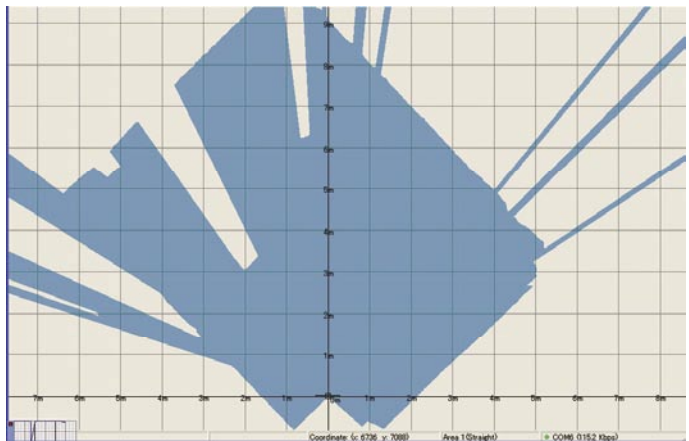
UHG-08LX

- Compact and powerful environment detection sensor for intelligent robots.
- Improved 8m-range in 270° field of view.
- Super-resolution type lined up.



- Long Range*1: 8 m
- Wide Angle*2: 270° (0.36°)
- High Accuracy: ±30 mm
- High Resolution*3: 0.09° (120°)

- Compact Body: 86 x 83 x 83 mm (W x D x H)
- Light Weight: Approx.330g
- Low Power: 5 Watts



*1. Maximum range is 11,000 mm with guaranteed accuracy only up to 8,000 mm.

*2. Angular range 270° is available in UHG-08LX only. Angular range will be automatically changed to 120° in UHG-08LX-A01.

*3. Resolution : 0.36° for UHG-08LX ; 0.09° for UHG-08LX-A01.

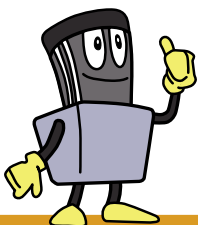
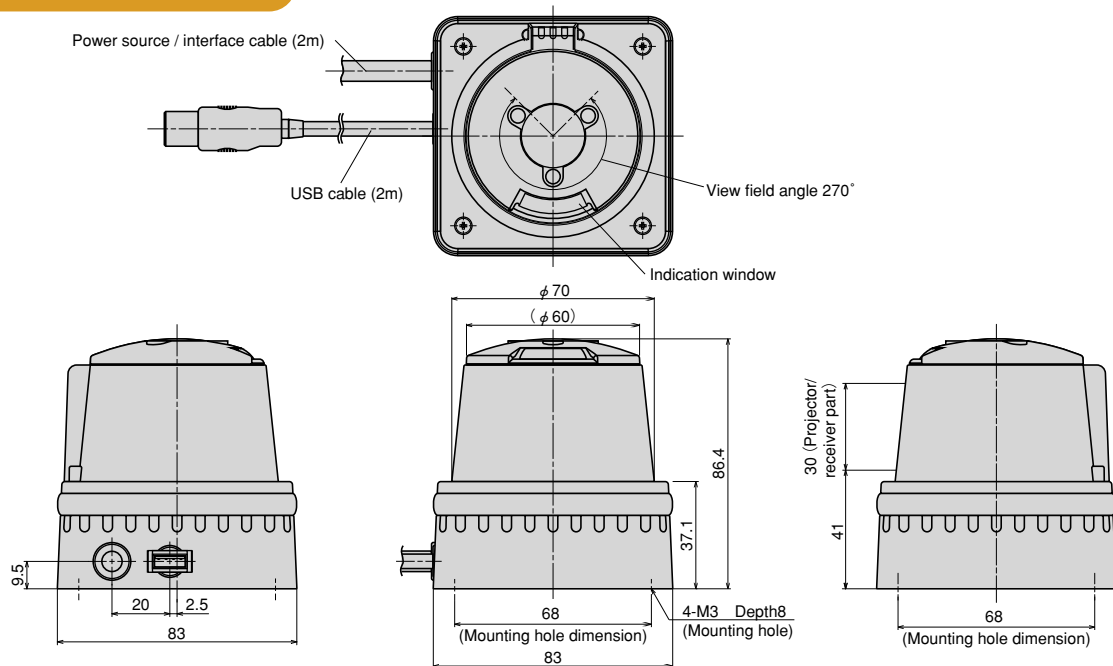
UHG-08LX

Specifications

Product name	Scanning Laser Range Finder "SOKUIKI Sensor"	
Model	UHG-08LX	UHG-08LX-A01 (coming soon)
Mode	Normal mode	Super-resolution mode
Power source	12 VDC +/-10%	
Detection distance	Detectable Distance: 30 to 11,000mm Accuracy-guaranteed range: 100 to 8,000mm (Indoor, white Kent Sheet 150 x 150mm)	
Angle	270°	120°
Accuracy	100 to 1,000mm : ±30mm, 1,000 to 8,000mm : ±3% of measured distance (Indoor, white Kent Sheet 150 x 150mm)	
Angular resolution	Approx. 0.36° (360° / 1,024)	Approx. 0.09° (360° / 4,096)
Light source	Infrared laser (FDA safety Class 1)	
Scan time	67msec/scan	100msec./scan
Sound level	Less than 25dB	
Interface	USB2.0 (Full Speed)	
Output	Synchronous output	
Command System	Exclusively designed command SCIP Ver.2.0	
Connection	Cable 2m long	
Ambient illuminance**	Halogen/mercury lamp : 10,000lx or less, Fluorescent lamp : 6,000lx(Max.)	
Ambient (temperature/humidity)	-10 to +50°C, less than 85%RH (without dew and frost)	
Vibration and impact resistance	Vibration: 1.5mm (10 to 55Hz), Impact: 196m/s ²	
Protective structure	Optical part: IP64, Body part: IP40	
Material	Optical part: polycarbonate, Other parts: ABS etc.	
Weight	Approx.330g	

** It may execute the wrong output if it would receive the strong light such as sunlight etc.

External dimension



HOKUYO AUTOMATIC CO.,LTD

1-10-9, NIITAKA, YODOGAWA-KU, OSAKA 532-0033, JAPAN
 TEL:+81-6-6394-2102 FAX:+81-6-6394-2339
 URL :http://www.hokuyo-aut.jp

Catalog No.CRS0008C 07. 10. H

HOKUYO