

**SN54122, SN54123, SN54130, SN54LS122, SN54LS123, SN74122, SN74123, SN74130, SN74LS122, SN74LS123**  
**RETRIGGERABLE MONOSTABLE MULTIVIBRATORS**

DECEMBER 1983 — REVISED MARCH 1988

- D-C Triggered from Active-High or Active-Low Gated Logic Inputs
- Retriggerable for Very Long Output Pulses, Up to 100% Duty Cycle
- Overriding Clear Terminates Output Pulse
- '122 and 'LS122 Have Internal Timing Resistors

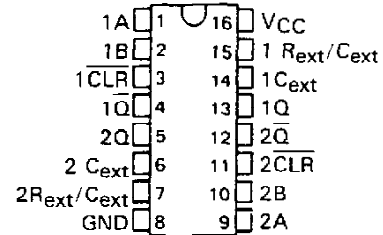
**description**

These d-c triggered multivibrators feature output pulse-duration control by three methods. The basic pulse time is programmed by selection of external resistance and capacitance values (see typical application data). The '122 and 'LS122 have internal timing resistors that allow the circuits to be used with only an external capacitor, if so desired. Once triggered, the basic pulse duration may be extended by retriggering the gated low-level-active (A) or high-level-active (B) inputs, or be reduced by use of the overriding clear. Figure 1 illustrates pulse control by retriggering and early clear.

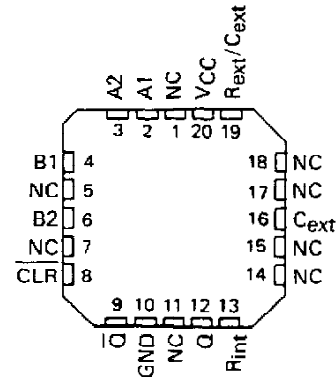
The 'LS122 and 'LS123 are provided enough Schmitt hysteresis to ensure jitter-free triggering from the B input with transition rates as slow as 0.1 millivolt per nanosecond.

The  $R_{int}$  in nominal 10 k $\Omega$  for '122 and 'LS122.

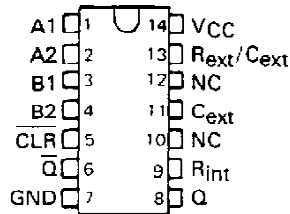
SN54123, SN54130, SN54LS123 . . . J OR W PACKAGE  
 SN74123, SN74130 . . . N PACKAGE  
 SN74LS123 . . . D OR N PACKAGE  
 (TOP VIEW) (SEE NOTES 1 THRU 4)



SN54LS122 . . . FK PACKAGE  
 (TOP VIEW) (SEE NOTES 1 THRU 4)

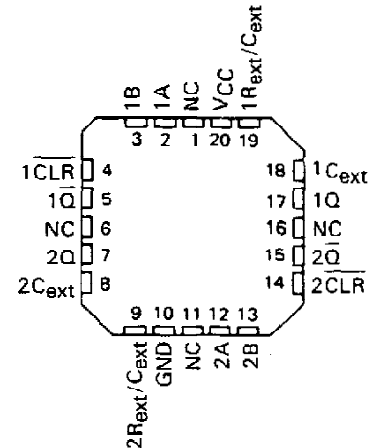


SN54122, SN54LS122 . . . J OR W PACKAGE  
 SN74122 . . . N PACKAGE  
 SN74LS122 . . . D OR N PACKAGE  
 (TOP VIEW) (SEE NOTES 1 THRU 4)



- NOTES:
1. An external timing capacitor may be connected between  $C_{ext}$  and  $R_{ext}/C_{ext}$  (positive).
  2. To use the internal timing resistor of '122 or 'LS122, connect  $R_{int}$  to  $V_{CC}$ .
  3. For improved pulse duration accuracy and repeatability, connect an external resistor between  $R_{ext}/C_{ext}$  and  $V_{CC}$  with  $R_{int}$  open-circuited.
  4. To obtain variable pulse durations, connect an external variable resistance between  $R_{int}$  or  $R_{ext}/C_{ext}$  and  $V_{CC}$ .

SN54LS123 . . . FK PACKAGE  
 (TOP VIEW) (SEE NOTES 1 THRU 4)



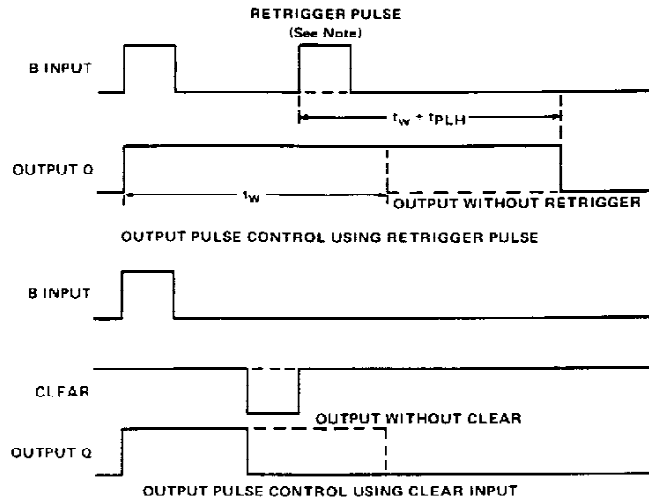
NC - No internal connection

PRODUCTION DATA documents contain information current as of publication date. Products conform to specifications per the terms of Texas Instruments standard warranty. Production processing does not necessarily include testing of all parameters.



**SN54122, SN54123, SN54130, SN54LS122, SN54LS123,  
SN74122, SN74123, SN74130, SN74LS122, SN74LS123  
RETRIGGERABLE MONOSTABLE MULTIVIBRATORS**

description (continued)



NOTE: Retrigger pulses starting before  $0.22 C_{ext}$  (in picofrads) nanoseconds after the initial trigger pulse will be ignored and the output duration will remain unchanged.

FIGURE 1—TYPICAL INPUT/OUTPUT PULSES

'122, 'LS122  
FUNCTION TABLE

| CLEAR | INPUTS |    |    |    | OUTPUTS |           |
|-------|--------|----|----|----|---------|-----------|
|       | A1     | A2 | B1 | B2 | Q       | $\bar{Q}$ |
| L     | X      | X  | X  | X  | L       | H         |
| X     | H      | H  | X  | X  | L†      | H†        |
| X     | X      | X  | L  | X  | L†      | H†        |
| X     | X      | X  | X  | L  | L†      | H†        |
| H     | L      | X  | ↑  | H  | ⌋       | ⌋         |
| H     | L      | X  | H  | ↑  | ⌋       | ⌋         |
| H     | X      | L  | ↑  | H  | ⌋       | ⌋         |
| H     | X      | L  | H  | ↑  | ⌋       | ⌋         |
| H     | H      | ↓  | H  | H  | ⌋       | ⌋         |
| H     | ↓      | ↓  | H  | H  | ⌋       | ⌋         |
| H     | ↓      | H  | H  | H  | ⌋       | ⌋         |
| ↑     | L      | X  | H  | H  | ⌋       | ⌋         |
| ↑     | X      | L  | H  | H  | ⌋       | ⌋         |

'123, '130, 'LS123  
FUNCTION TABLE

| CLEAR | INPUTS |   | OUTPUTS |           |
|-------|--------|---|---------|-----------|
|       | A      | B | Q       | $\bar{Q}$ |
| L     | X      | X | L       | H         |
| X     | H      | X | L†      | H†        |
| X     | X      | L | L†      | H†        |
| H     | L      | ↑ | ⌋       | ⌋         |
| H     | ↓      | H | ⌋       | ⌋         |
| ↑     | L      | H | ⌋       | ⌋         |

See explanation of function tables on page

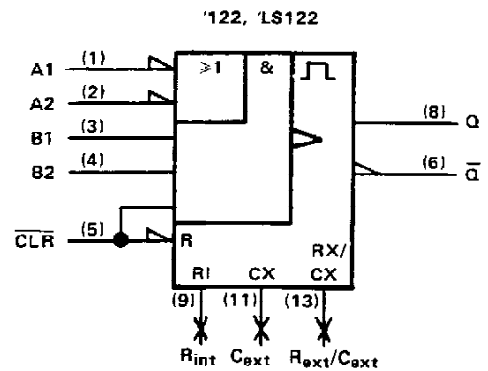
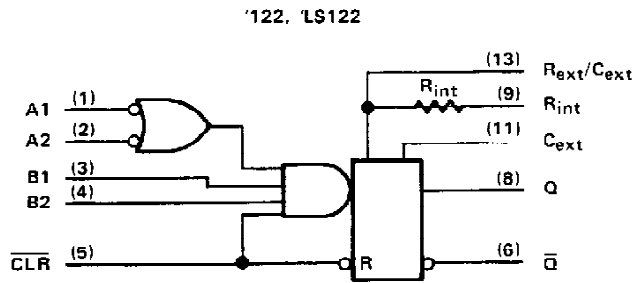
† These lines of the functional tables assume that the indicated steady-state conditions at the A and B inputs have been set up long enough to complete any pulse started before the set up.



**SN54122, SN54123, SN54130, SN54LS122, SN54LS123,  
SN74122, SN74123, SN74130, SN74LS122, SN74LS123  
RETRIGGERABLE MONOSTABLE MULTIVIBRATORS**

logic diagram (positive logic)

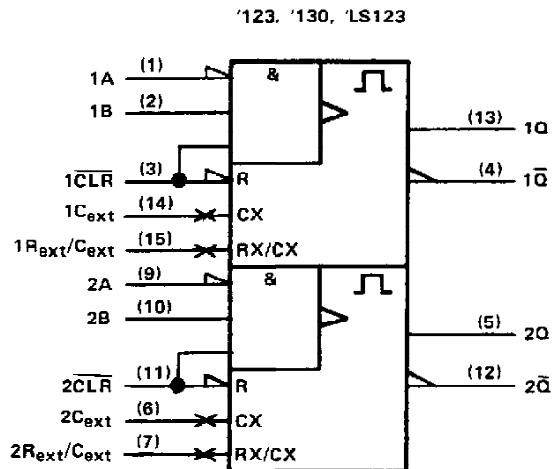
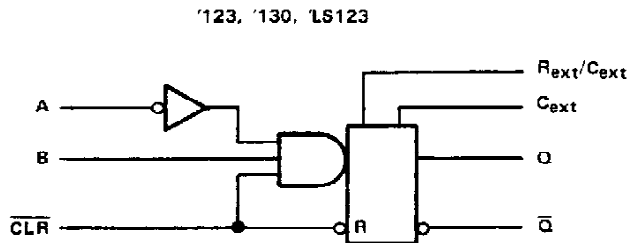
logic symbol†



$R_{int}$  is nominally 10 k $\Omega$  for '122 and 'LS122

logic diagram (positive logic) (each multivibrator)

logic symbol†



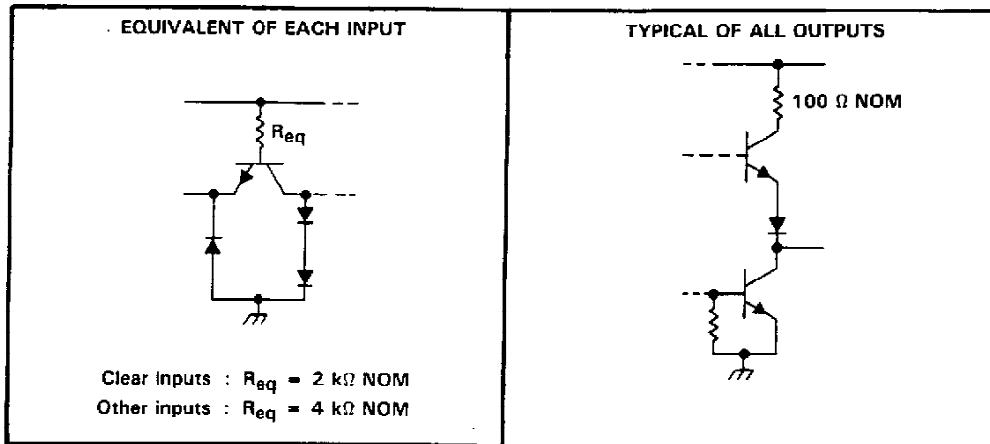
Pin numbers shown are for D, J, N, and W packages.

†These symbols are in accordance with ANSI/IEEE Std 91-1984 and IEC Publication 617-12.

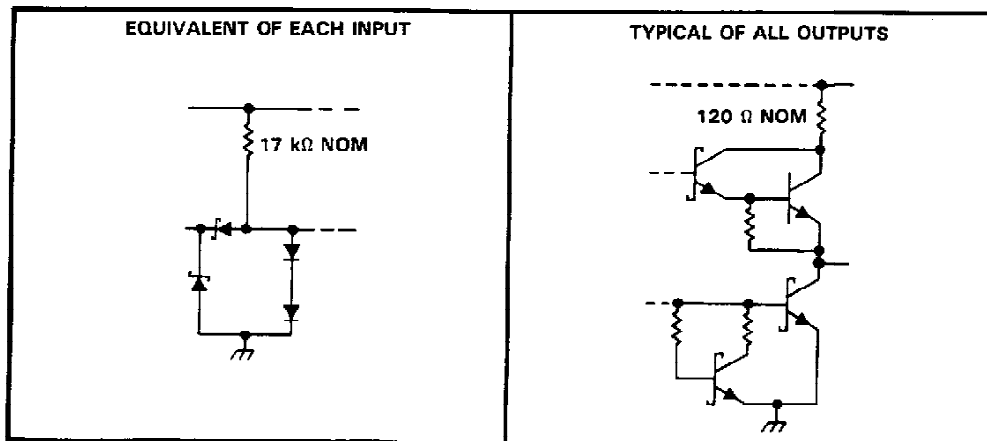
**SN54122, SN54123, SN54130, SN54LS122, SN54LS123,  
SN74122, SN74123, SN74130, SN74LS122, SN74LS123  
RETRIGGERABLE MONOSTABLE MULTIVIBRATORS**

schematics of inputs and outputs

'122, '123, '130 CIRCUITS



'LS122, 'LS123 CIRCUITS



absolute maximum ratings over operating free-air temperature range (unless otherwise noted)

|   |                  |
|---|------------------|
| Supply voltage, $V_{CC}$ (see Note 1) .....       | 7 V              |
| Input voltage: '122, '123, '130 .....             | 5.5 V            |
| 'LS122, 'LS123 .....                              | 7 V              |
| Operating free-air temperature range: SN54' ..... | -55 °C to 125 °C |
| SN74' .....                                       | 0 °C to 70 °C    |
| Storage temperature range .....                   | -65 °C to 150 °C |

NOTE 1: Voltage values are with respect to network ground terminal.

**TEXAS  
INSTRUMENTS**

POST OFFICE BOX 655303 • DALLAS, TEXAS 75265

# SN54122, SN54123, SN54130, SN74122, SN74123, SN74130 RETRIGGERABLE MONOSTABLE MULTIVIBRATORS

## recommended operating conditions

|  | SN54'          |     |      | SN74'          |     |      | UNIT         |
|--|----------------|-----|------|----------------|-----|------|--------------|
|  | MIN            | NOM | MAX  | MIN            | NOM | MAX  |              |
| Supply voltage, $V_{CC}$                         | 4.5            | 5   | 5.5  | 4.75           | 5   | 5.25 | V            |
| High-level output current, $I_{OH}$              |                |     | -800 |                |     | -800 | $\mu$ A      |
| Low-level output current, $I_{OL}$               |                |     | 16   |                |     | 16   | mA           |
| Pulse duration, $t_w$                            | 40             |     |      | 40             |     |      | ns           |
| External timing resistance, $R_{ext}$            | 5              |     | 25   | 5              |     | 50   | k $\Omega$   |
| External capacitance, $C_{ext}$                  | No restriction |     |      | No restriction |     |      |              |
| Wiring capacitance at $R_{ext}/C_{ext}$ terminal |                |     | 50   |                |     | 50   | pF           |
| Operating free-air temperature, $T_A$            | -55            |     | 125  | 0              |     | 70   | $^{\circ}$ C |

## electrical characteristics over recommended free-air operating temperature range (unless otherwise noted)

| PARAMETER  | TEST CONDITIONS <sup>†</sup>                                     | '122 |                  |      | '123, '130 |                  |      | UNIT    |
|--|--|------|------------------|------|------------|------------------|------|---------|
|  |  | MIN  | TYP <sup>‡</sup> | MAX  | MIN        | TYP <sup>‡</sup> | MAX  |         |
| $V_{IH}$ High-level input voltage                  |  | 2    |                  |      | 2          |                  |      | V       |
| $V_{IL}$ Low-level input voltage                   |  |      |                  | 0.8  |            |                  | 0.8  | V       |
| $V_{IK}$ Input clamp voltage                       | $V_{CC} = \text{MIN}, I_I = -12 \text{ mA}$                      |      |                  | -1.5 |            |                  | -1.5 | V       |
| $V_{OH}$ High-level output voltage                 | $V_{CC} = \text{MIN}, I_{OH} = -800 \mu\text{A}$ ,<br>See Note 5 | 2.4  | 3.4              |      | 2.4        | 3.4              |      | V       |
| $V_{OL}$ Low-level output voltage                  | $V_{CC} = \text{MIN}, I_{OL} = 16 \text{ mA}$ ,<br>See Note 5    |      | 0.2              | 0.4  |            | 0.2              | 0.4  | V       |
| $I_I$ Input current at maximum input voltage       | $V_{CC} = \text{MAX}, V_I = 5.5 \text{ V}$                       |      |                  | 1    |            |                  | 1    | mA      |
| $I_{IH}$ High-level input current                  | Data inputs  |      |                  | 40   |            |                  | 40   | $\mu$ A |
|  | Clear input  |      |                  | 80   |            |                  | 80   |         |
| $I_{IL}$ Low-level input current                   | Data inputs  |      |                  | -1.6 |            |                  | -1.6 | mA      |
|  | Clear input  |      |                  | -3.2 |            |                  | -3.2 |         |
| $I_{OS}$ Short-circuit output current <sup>§</sup> | $V_{CC} = \text{MAX}$ , See Note 5                               | -10  |                  | -40  | -10        |                  | -40  | mA      |
| $I_{CC}$ Supply current (quiescent or triggered)   | $V_{CC} = \text{MAX}$ , See Notes 6 and 7                        |      | 23               | 36   |            | 46               | 66   | mA      |

<sup>†</sup> For conditions shown as MIN or MAX, use the appropriate value specified under recommended operating conditions.

<sup>‡</sup> All typical values are at  $V_{CC} = 5 \text{ V}$ ,  $T_A = 25^{\circ}\text{C}$ .

<sup>§</sup> Not more than one output should be shorted at a time.

NOTES: 5. Ground  $C_{ext}$  to measure  $V_{OH}$  at  $\bar{Q}$ ,  $V_{OL}$  at  $\bar{Q}$ , or  $I_{OS}$  at  $\bar{Q}$ .  $C_{ext}$  is open to measure  $V_{OH}$  at  $\bar{Q}$ ,  $V_{OL}$  at  $\bar{Q}$ , or  $I_{OS}$  at  $\bar{Q}$ .

6. Quiescent  $I_{CC}$  is measured (after clearing) with 4.5 V applied to all clear and A inputs, B inputs grounded, all outputs open and  $R_{ext} = 25 \text{ k}\Omega$ .  $R_{int}$  of '122 is open.

7.  $I_{CC}$  is measured in the triggered state with 2.4 V applied to all clear and B inputs, A inputs grounded, all outputs open,  $C_{ext} = 0.02 \mu\text{F}$ , and  $R_{ext} = 25 \text{ k}\Omega$ .  $R_{int}$  of '122 is open.

## switching characteristics, $V_{CC} = 5 \text{ V}$ , $T_A = 25^{\circ}\text{C}$ , see note 8

| PARAMETER <sup>†</sup> | FROM (INPUT) | TO (OUTPUT) | TEST CONDITIONS   | '122, '130 |      |      | '123 |      |         | UNIT |
|------------------------|--------------|-------------|---|------------|------|------|------|------|---------|------|
|                        |              |             |   | MIN        | TYP  | MAX  | MIN  | TYP  | MAX     |      |
| $t_{PLH}$              | A            | Q           | $C_{ext} = 0$ , $R_{ext} = 5 \text{ k}\Omega$ ,<br>$C_L = 15 \text{ pF}$ , $R_L = 400 \Omega$ | 22         | 33   |      | 22   | 33   | ns      |      |
|                        | B            | Q           |   | 19         | 28   |      | 19   | 28   |         |      |
| $t_{PHL}$              | A            | $\bar{Q}$   |   | 30         | 40   |      | 30   | 40   | ns      |      |
|                        | B            | $\bar{Q}$   |   | 27         | 36   |      | 27   | 36   |         |      |
| $t_{PHL}$              | Clear        | Q           |   | 18         | 27   |      | 18   | 27   | ns      |      |
| $t_{PLH}$              |              | $\bar{Q}$   |   | 30         | 40   |      | 30   | 40   |         |      |
| $t_{wQ} (\text{min})$  | A or B       | Q           | 45  | 65         |      | 45   | 76   | ns   |         |      |
| $t_{wQ}$               | A or B       | Q           | 3.08  | 3.42       | 3.76 | 2.76 | 3.03 | 3.37 | $\mu$ s |      |

<sup>†</sup>  $t_{PLH}$  = propagation delay time, low-to-high-level output

$t_{PHL}$  = propagation delay time, high-to-low-level output

$t_{wQ}$  = duration of pulse at output Q.

NOTE 8: Load circuits and voltage waveforms are shown in Section 1.

  
**TEXAS  
INSTRUMENTS**

POST OFFICE BOX 655303 • DALLAS, TEXAS 75265

# SN54LS122, SN54LS123, SN74LS122, SN74LS123

## RETRIGGERABLE MONOSTABLE MULTIVIBRATORS

### recommended operating conditions

|  | SN54LS*        |     |      | SN74LS*        |     |      | UNIT         |
|--|----------------|-----|------|----------------|-----|------|--------------|
|  | MIN            | NOM | MAX  | MIN            | NOM | MAX  |              |
| Supply voltage, $V_{CC}$                         | 4.5            | 5   | 5.5  | 4.75           | 5   | 5.25 | V            |
| High-level output current, $I_{OH}$              |                |     | -400 |                |     | -400 | $\mu$ A      |
| Low-level output current, $I_{OL}$               |                |     | 4    |                |     | 8    | mA           |
| Pulse duration, $t_w$                            | 40             |     |      | 40             |     |      | ns           |
| External timing resistance, $R_{ext}$            | 5              |     | 180  | 5              |     | 260  | k $\Omega$   |
| External capacitance, $C_{ext}$                  | No restriction |     |      | No restriction |     |      |              |
| Wiring capacitance at $R_{ext}/C_{ext}$ terminal |                |     | 50   |                |     | 50   | pF           |
| Operating free-air temperature, $T_A$            | -55            |     | 125  | 0              |     | 70   | $^{\circ}$ C |

### electrical characteristics over recommended operating free-air temperature range (unless otherwise noted)

| PARAMETER  | TEST CONDITIONS†   | SN54LS* |          |               | SN74LS* |                      |               | UNIT    |
|--|--|---------|----------|---------------|---------|----------------------|---------------|---------|
|  |  | MIN     | TYP‡     | MAX           | MIN     | TYP‡                 | MAX           |         |
| $V_{IH}$ High-level input voltage                |  | 2       |          |               | 2       |                      |               | V       |
| $V_{IL}$ Low-level input voltage                 |  |         |          | 0.7           |         |                      | 0.8           | V       |
| $V_{IK}$ Input clamp voltage                     | $V_{CC} = \text{MIN}, I_I = -18 \text{ mA}$  |         |          | -1.5          |         |                      | -1.5          | V       |
| $V_{OH}$ High-level output voltage               | $V_{CC} = \text{MIN}, V_{IH} = 2 \text{ V}, V_{IL} = V_{IL \text{ max}}, I_{OH} = -400 \mu\text{A}$                        | 2.5     | 3.5      |               | 2.7     | 3.5                  |               | V       |
| $V_{OL}$ Low-level output voltage                | $V_{CC} = \text{MIN}, V_{IH} = 2 \text{ V}, V_{IL} = V_{IL \text{ max}}, I_{OL} = 4 \text{ mA}$<br>$I_{OL} = 8 \text{ mA}$ |         | 0.25 0.4 |               |         | 0.25 0.4<br>0.35 0.5 |               | V       |
| $I_I$ Input current at maximum input voltage     | $V_{CC} = \text{MAX}, V_I = 7 \text{ V}$   |         |          | 0.1           |         |                      | 0.1           | mA      |
| $I_{IH}$ High-level input current                | $V_{CC} = \text{MAX}, V_I = 2.7 \text{ V}$   |         |          | 20            |         |                      | 20            | $\mu$ A |
| $I_{IL}$ Low-level input current                 | $V_{CC} = \text{MAX}, V_I = 0.4 \text{ V}$   |         |          | -0.4          |         |                      | -0.4          | mA      |
| $I_{OS}$ Short-circuit output current‡           | $V_{CC} = \text{MAX}$  | -20     | -100     | -20           | -100    |                      |               | mA      |
| $I_{CC}$ Supply current (quiescent or triggered) | $V_{CC} = \text{MAX},$ See Note 13   |         |          | 6 11<br>12 20 |         |                      | 6 11<br>12 20 | mA      |

†For conditions shown as MIN or MAX, use the appropriate value specified under recommended operating conditions.

‡All typical values are at  $V_{CC} = 5 \text{ V}, T_A = 25^{\circ}\text{C}$ .

§Not more than one output should be shorted at a time and duration of the short-circuit should not exceed one second.

NOTES: 12. To measure  $V_{OH}$  at Q,  $V_{OL}$  at Q, or  $I_{OS}$  at Q, ground  $R_{ext}/C_{ext}$ , apply 2 V to B and clear, and pulse A from 2 V to 0 V.  
13. With all outputs open and 4.5 V applied to all data and clear inputs,  $I_{CC}$  is measured after a momentary ground, then 4.5 V, is applied to A or B inputs.

### switching characteristics, $V_{CC} = 5 \text{ V}, T_A = 25^{\circ}\text{C}$ (see note 8)

| PARAMETER†             | FROM (INPUT) | TO (OUTPUT) | TEST CONDITIONS   | MIN | TYP | MAX | UNIT    |
|------------------------|--------------|-------------|---|-----|-----|-----|---------|
| $t_{PLH}$              | A            | Q           | $C_{ext} = 0, R_{ext} = 5 \text{ k}\Omega, C_L = 15 \text{ pF}, R_L = 2 \text{ k}\Omega$                |     | 23  | 33  | ns      |
|                        | B            | Q           |   |     | 23  | 44  |         |
| $t_{PHL}$              | A            | $\bar{Q}$   |   |     | 32  | 45  | ns      |
|                        | B            | $\bar{Q}$   |   |     | 34  | 56  |         |
| $t_{PHL}$              | Clear        | Q           |   |     | 20  | 27  | ns      |
| $t_{PLH}$              | Clear        | $\bar{Q}$   |   |     | 28  | 45  |         |
| $t_{wQ} \text{ (min)}$ | A or B       | Q           |   | 116 | 200 | ns  |         |
| $t_{wQ}$               | A or B       | Q           | $C_{ext} = 1000 \text{ pF}, C_L = 15 \text{ pF}, R_{ext} = 10 \text{ k}\Omega, R_L = 2 \text{ k}\Omega$ | 4   | 4.5 | 5   | $\mu$ s |

† $t_{PLH}$  = propagation delay time, low-to-high-level output

$t_{PHL}$  = propagation delay time, high-to-low-level output

$t_{wQ}$  = duration of pulse at output Q.

NOTE 8: Load circuits and voltage waveforms are shown in Section 1.

TEXAS  
INSTRUMENTS

POST OFFICE BOX 655303 • DALLAS, TEXAS 75265

**SN54122, SN54123, SN54130  
SN74122, SN74123, SN74130  
RETRIGGERABLE MONOSTABLE MULTIVIBRATORS**

**TYPICAL APPLICATION DATA FOR '122, '123, '130**

For pulse durations when  $C_{ext} \leq 1000$  pF, see Figure 4.

The output pulse duration is primarily a function of the external capacitor and resistor. For  $C_{ext} > 1000$  pF, the output pulse duration ( $t_w$ ) is defined as:

$$t_w = K \cdot R_T \cdot C_{ext} \left( 1 + \frac{0.7}{R_T} \right)$$

where

$K$  is 0.32 for '122, 0.28 for '123 and '130

$R_T$  is in  $k\Omega$  (internal or external timing resistance.)

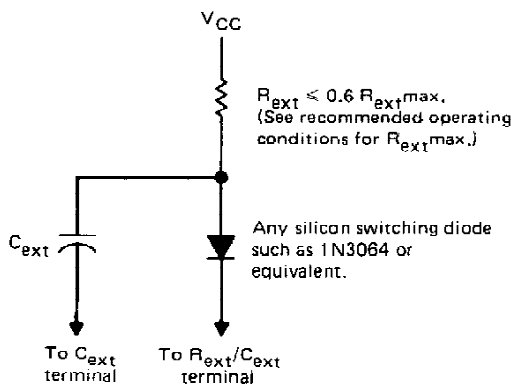
$C_{ext}$  is in pF

$t_w$  is in ns

To prevent reverse voltage across  $C_{ext}$ , it is recommended that the method shown in Figure 2 be employed when using electrolytic capacitors and in applications utilizing the clear function. In all applications using the diode, the pulse duration is:

$$t_w = K_D \cdot R_T \cdot C_{ext} \left( 1 + \frac{0.7}{R_T} \right)$$

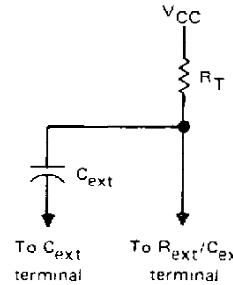
$K_D$  is 0.28 for '122, 0.25 for '123 and '130



**TIMING COMPONENT CONNECTIONS WHEN  
 $C_{ext} > 1000$  pF AND CLEAR IS USED**

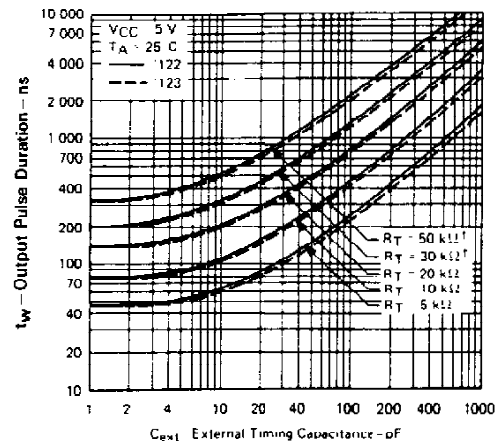
**FIGURE 2**

Applications requiring more precise pulse durations (up to 28 seconds) and not requiring the clear feature can best be satisfied with the '121.



**TIMING COMPONENT CONNECTIONS  
FIGURE 3**

**TYPICAL OUTPUT PULSE DURATION  
vs  
EXTERNAL TIMING CAPACITANCE**



**FIGURE 4**

†These values of resistance exceed the maximum recommended for use over the full temperature range of the SN54' circuits.

# SN54LS122, SN54LS123, SN74LS122, SN74LS123 RETRIGGERABLE MONOSTABLE MULTIVIBRATORS

## TYPICAL APPLICATION DATA FOR 'LS122, 'LS123

The basic output pulse duration is essentially determined by the values of external capacitance and timing resistance. For pulse durations when  $C_{ext} \leq 1000$  pF, use Figure 6, or use Figure 7 where the pulse duration may be defined as:

$$t_w = K \cdot R_T \cdot C_{ext}$$

When  $C_{ext} \geq 1 \mu F$ , the output pulse width is defined as:

$$t_w = 0.33 \cdot R_T \cdot C_{ext}$$

For the above two equations, as applicable;

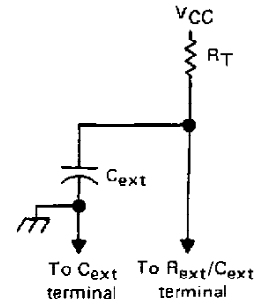
K is multiplier factor, see Figure 7

$R_T$  is in  $k\Omega$  (internal or external timing resistance)

$C_{ext}$  is in pF

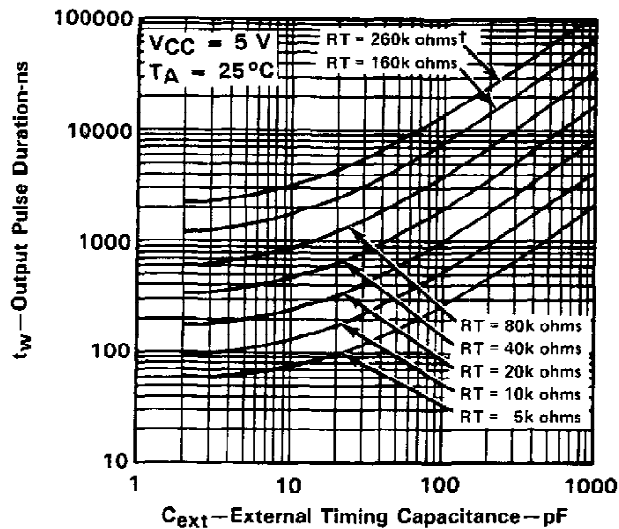
$t_w$  is in ns

For maximum noise immunity, system ground should be applied to the  $C_{ext}$  node, even though the  $C_{ext}$  node is already tied to the ground lead internally. Due to the timing scheme used by the 'LS122 and 'LS123, a switching diode is not required to prevent reverse biasing when using electrolytic capacitors.



TIMING COMPONENT CONNECTIONS  
FIGURE 5

### 'LS122, 'LS123 TYPICAL OUTPUT PULSE DURATION vs EXTERNAL TIMING CAPACITANCE



† This value of resistance exceeds the maximum recommended for use over the full temperature range of the SN54LS circuits.

FIGURE 6

TEXAS  
INSTRUMENTS

POST OFFICE BOX 655303 • DALLAS, TEXAS 75265



TYPICAL APPLICATION DATA FOR 'LS122, 'LS123

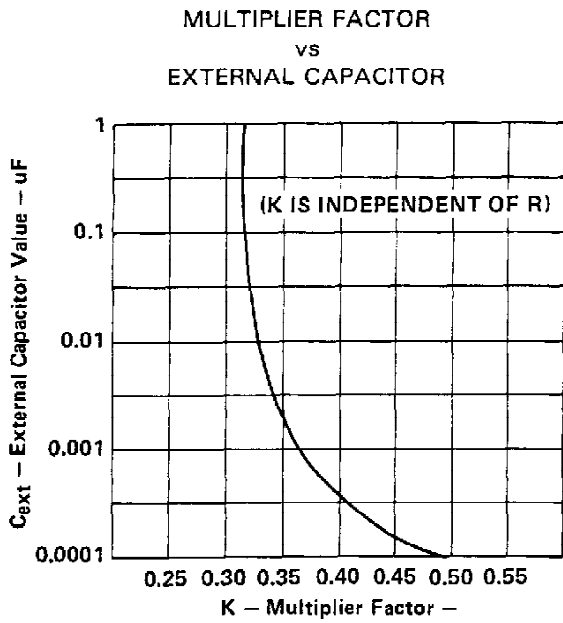


FIGURE 7

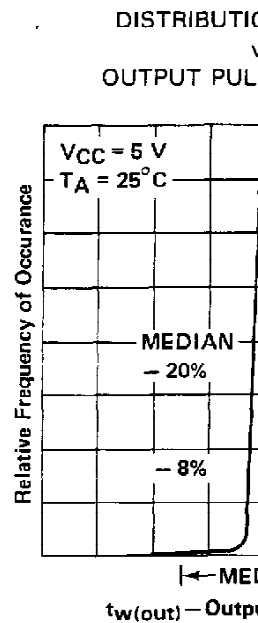


FIGURE 8

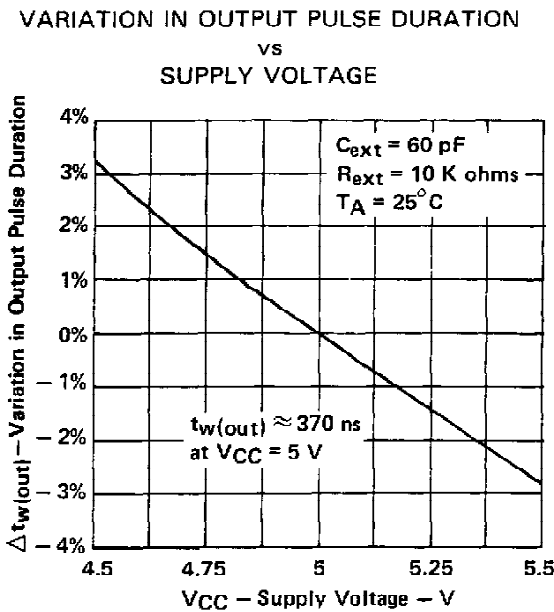


FIGURE 9

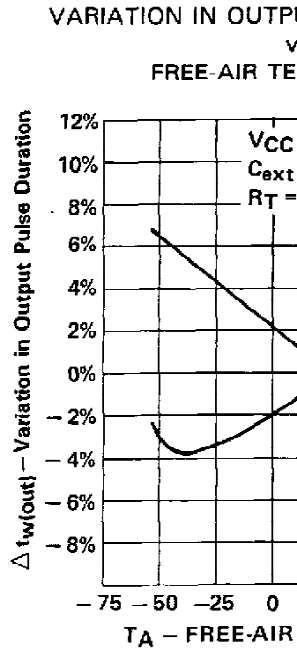


FIGURE 10

NOTE 14: For the 'LS122, the internal timing resistor,  $R_{int}$  was used. For the 'LS122/123, an external timing resistor was used. Data for temperatures below  $0^\circ C$  and above  $70^\circ C$  and for supply voltages below 4.75 V and above 5.25 V are applicable only.

## IMPORTANT NOTICE

Texas Instruments (TI) reserves the right to make changes to its products or to discontinue any semiconductor product or service without notice, and advises its customers to obtain the latest version of relevant information to verify, before placing orders, that the information being relied on is current.

TI warrants performance of its semiconductor products and related software to the specifications applicable at the time of sale in accordance with TI's standard warranty. Testing and other quality control techniques are utilized to the extent TI deems necessary to support this warranty. Specific testing of all parameters of each device is not necessarily performed, except those mandated by government requirements.

Certain applications using semiconductor products may involve potential risks of death, personal injury, or severe property or environmental damage ("Critical Applications").

TI SEMICONDUCTOR PRODUCTS ARE NOT DESIGNED, INTENDED, AUTHORIZED, OR WARRANTED TO BE SUITABLE FOR USE IN LIFE-SUPPORT APPLICATIONS, DEVICES OR SYSTEMS OR OTHER CRITICAL APPLICATIONS.

Inclusion of TI products in such applications is understood to be fully at the risk of the customer. Use of TI products in such applications requires the written approval of an appropriate TI officer. Questions concerning potential risk applications should be directed to TI through a local SC sales office.

In order to minimize risks associated with the customer's applications, adequate design and operating safeguards should be provided by the customer to minimize inherent or procedural hazards.

TI assumes no liability for applications assistance, customer product design, software performance, or infringement of patents or services described herein. Nor does TI warrant or represent that any license, either express or implied, is granted under any patent right, copyright, mask work right, or other intellectual property right of TI covering or relating to any combination, machine, or process in which such semiconductor products or services might be or are used.

## **IMPORTANT NOTICE**

Texas Instruments (TI) reserves the right to make changes to its products or to discontinue any semiconductor product or service without notice, and advises its customers to obtain the latest version of relevant information to verify, before placing orders, that the information being relied on is current.

TI warrants performance of its semiconductor products and related software to the specifications applicable at the time of sale in accordance with TI's standard warranty. Testing and other quality control techniques are utilized to the extent TI deems necessary to support this warranty. Specific testing of all parameters of each device is not necessarily performed, except those mandated by government requirements.

Certain applications using semiconductor products may involve potential risks of death, personal injury, or severe property or environmental damage ("Critical Applications").

**TI SEMICONDUCTOR PRODUCTS ARE NOT DESIGNED, INTENDED, AUTHORIZED, OR WARRANTED TO BE SUITABLE FOR USE IN LIFE-SUPPORT APPLICATIONS, DEVICES OR SYSTEMS OR OTHER CRITICAL APPLICATIONS.**

Inclusion of TI products in such applications is understood to be fully at the risk of the customer. Use of TI products in such applications requires the written approval of an appropriate TI officer. Questions concerning potential risk applications should be directed to TI through a local SC sales office.

In order to minimize risks associated with the customer's applications, adequate design and operating safeguards should be provided by the customer to minimize inherent or procedural hazards.

TI assumes no liability for applications assistance, customer product design, software performance, or infringement of patents or services described herein. Nor does TI warrant or represent that any license, either express or implied, is granted under any patent right, copyright, mask work right, or other intellectual property right of TI covering or relating to any combination, machine, or process in which such semiconductor products or services might be or are used.