

Capacitive Proximity Sensor

KC

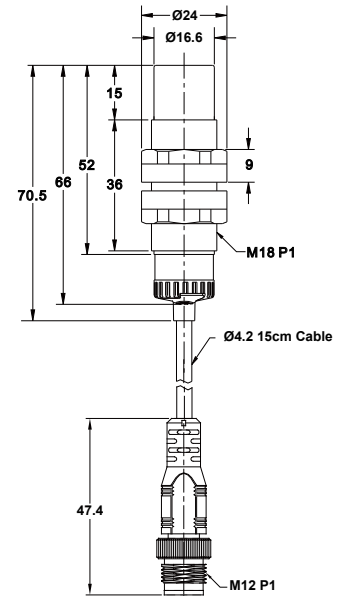
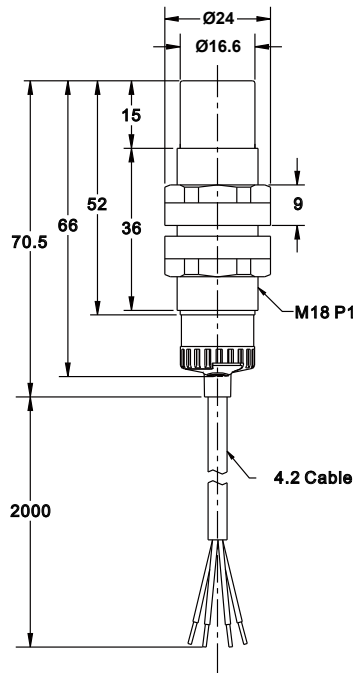
◆Shape / 外觀 :



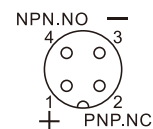
◆Specifications / 規格表 :

Output method 輸出模式	PNP N.O./N.C. NPN N.O./N.C.	KC1816-KP2	KC1816-KP2K
Description / 外型	Standard / 標準M18		
Standard sensing object/標準檢出物	Conducting Neutral / 導體電中性		
Sensing distance / 檢出距離	1 ~ 16 mm		
Hysteresis / 遲滯	≤ 10 % of sensing distance		
Response time / 反應時間	14.3 ms Max		
Operating voltage / 工作電壓	DC 12 ~ 24V		
Current consumption / 消耗電流	≤ 22 mA no-load		
Load current / 負載電流	100 mA Max at DC 24V		
Leakage current / 漏電流	≤ 1.1 mA no-load		
Residual voltage / 殘餘電壓	≤ DC 1.5V		
Insulation resistance / 隔離阻抗	20M Ω min. (DC500V)		
Voltage withstandability / 絕緣耐壓	AC1000V 60Hz for 60 Sec.		
Operating temperature/工作溫度範圍	-20°C ~ + 60°C		
Portection degree / 防水等級	IP 66		
Wiring method / 出線方式	Per-wired Ø4.2 x 2M / 4-wires	M12 pigtailed type / M12接頭15cm電線式	
Weight / 重量	Approx.70g	Approx.35g	

◆Dimensions/尺寸圖 :



KC1810-KP2K



Fiber

Photo Sensor

Area Sensor

Ultrasonic Sensors

Inductive Proximity Sensor

Capacitive Proximity Sensor

Timer / Counter

Others

Accessories

◆Shape / 外觀 :

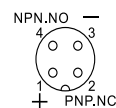
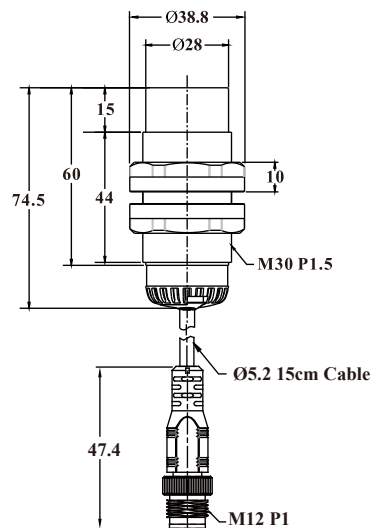
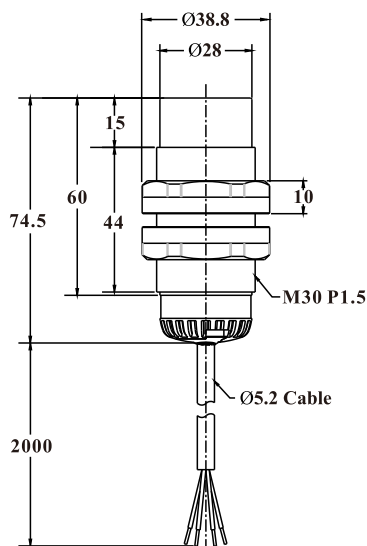


◆Specifications / 規格表 :

Output method 輸出模式	NPN N.O./N.C. PNP N.O./N.C.	KC3030-KP2	KC3030-KP2K
Description / 外型		Standard / 標準M30	
Standard sensing object/標準檢出物		Conducting Neutral / 導體電中性	
Sensing distance / 檢出距離		2 ~ 30mm	
Hysteresis / 遲滯		≤ 10 % of sensing distance	
Response time / 反應時間		100 ms Max	
Operating voltage / 工作電壓		DC 12 ~ 24V	
Current consumption / 消耗電流		≤ 22 mA no-load	
Load current / 負載電流		100 mA Max at DC 24V	
Leakage current / 漏電流		≤ 1.1 mA no-load	
Residual voltage / 殘餘電壓		≤ DC 1.5V	
Insulation resistance / 隔離阻抗		20M Ω min. (DC500V)	
Voltage withstandability / 絕緣耐壓		AC1000V 60Hz for 60 Sec.	
Operating temperature/工作溫度範圍		- 20°C ~ + 60°C	
Portection degree / 防水等級		IP 66	

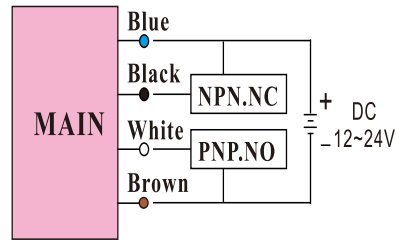
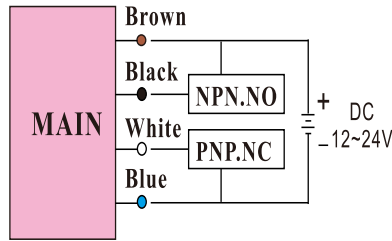
Wiring method / 出線方式	Per-wired Ø5.2 x 2M / 4-wires	M12 pigtailed type / M12 接頭15cm電線式
Weight / 重量	Approx.135g	Approx.80g

◆Dimensions/尺寸圖 :

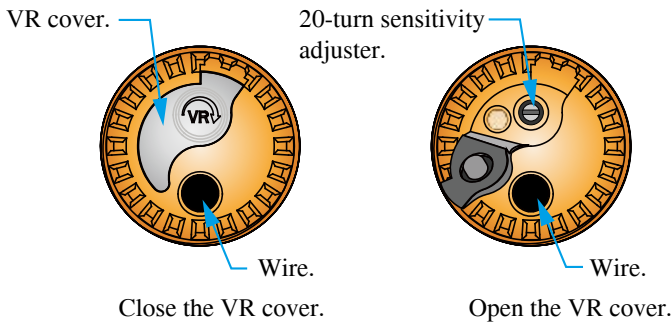


◆Wiring diagrams / 接線圖：

KC□-KP2 includes PNP and NPN two output types. Not only available used on PNP type and NPN type, but also NO/NC switching available.



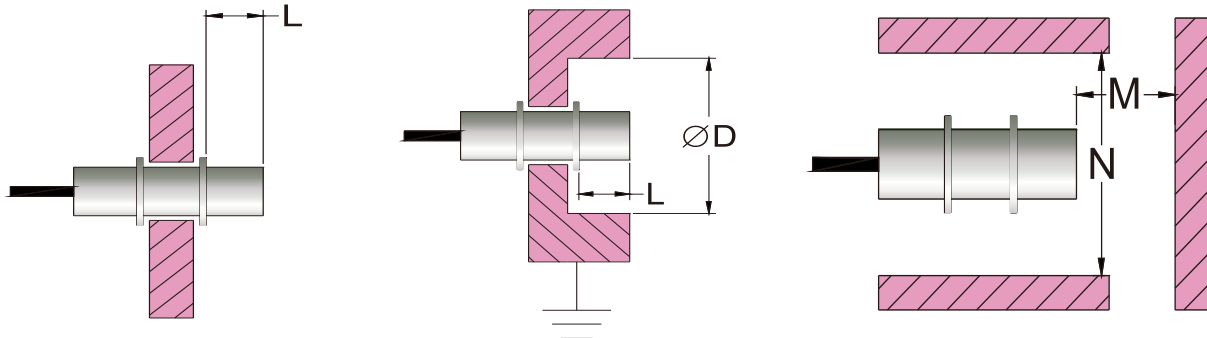
◆Function introduction / 功能介紹：



KC□-KP2 with 20-turn sensitivity adjuster. Users can adjust the sensitivity according to different objects. Special VR cover for water-proof and greasiness-proof.

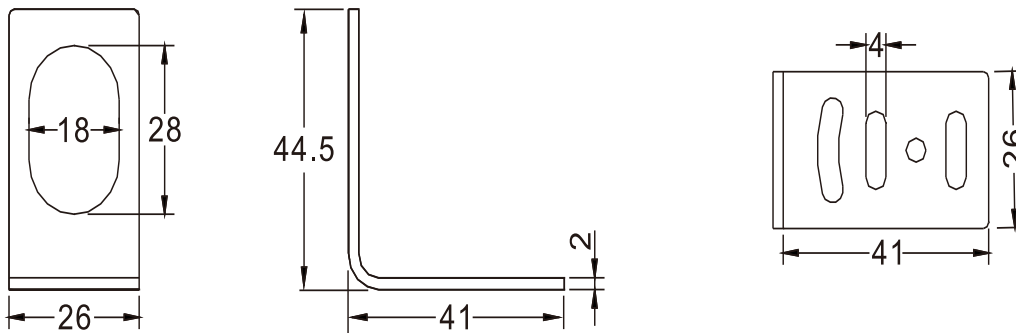
KC□-KP2 為可調式旋鈕(20轉)，可依據感測物的不同，而有所調整。另外，在旋鈕上附有VR蓋，不但能夠防水還能防油污。

◆Precautions proper installation / 安裝注意事項：



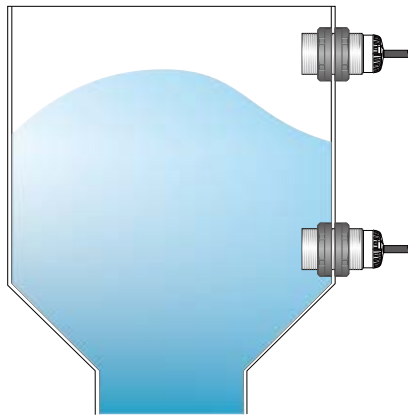
KC1815	$D \geq 40\text{mm}$	$M \geq 30\text{mm}$	$L \geq 30\text{mm}$	$N \geq 40\text{mm}$
KC3030	$D \geq 90\text{mm}$	$M \geq 50\text{mm}$	$L \geq 30\text{mm}$	$N \geq 90\text{mm}$

◆Mounting bracket / 固定架尺寸：

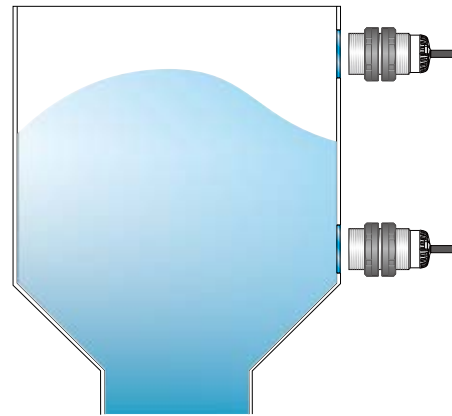


Fiber
Photo Sensor
Area Sensor
Ultrasonic Sensors
Inductive Proximity Sensor
Capacitive Proximity Sensor
Timer / Counter
Others
Accessories

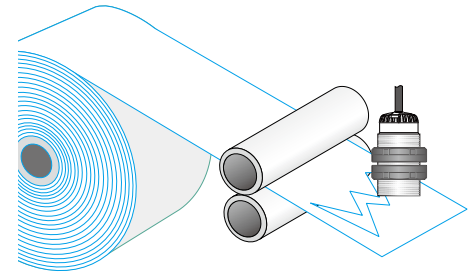
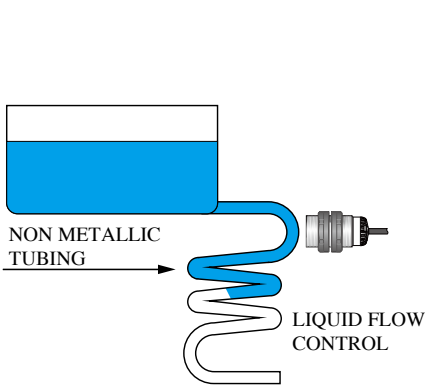
◆ Application / 應用例 :



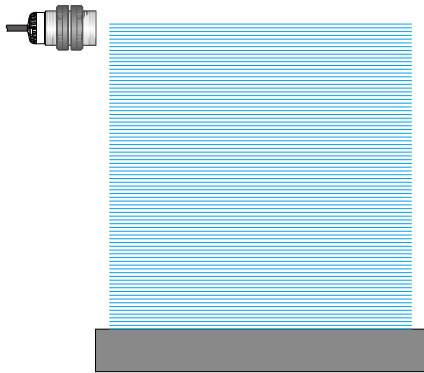
Contact level control for solids or liquids.



Level control for metal containers with plastic or glass windows.



Detect the breakage in reels of non metallic materials (paper, plastic etc.).



Detect the height of a paper stack.

Fiber

Photo Sensor

Area Sensor

Ultrasonic Sensors

Inductive Proximity Sensor

Capacitive Proximity Sensor

Timer / Counter

Others

Accessories